

# LED Vanity Fixture

## Safety Precautions

Read all safety precautions and installation instructions carefully before installing or servicing this fixture. Failure to comply with these instructions could result in potentially fatal electric shock and/or property damage.

It is recommended that a qualified electrician perform all wiring. This fixture must be wired in accordance with all national and local electrical codes.

Do not handle any energized fixture or attempt to energize any fixture with wet hands or while standing on a wet or damp surface or in water.

Make sure that the power source conforms to the requirements of the fixture (see labels on fixture housing). Model numbers ending in 120 are designed for use in a 120V fused circuit (do not use on a dimming circuit).

To reduce the risk of electrical shock, and to assure proper operation, this fixture must be adequately grounded. To accomplish proper grounding, there must be a separate ground wire (green) contact between this fixture and the ground connection of your main power supply panel.

This fixture is intended to be used for general indoor lighting in dry or damp locations only.

## ASSEMBLY INSTRUCTIONS

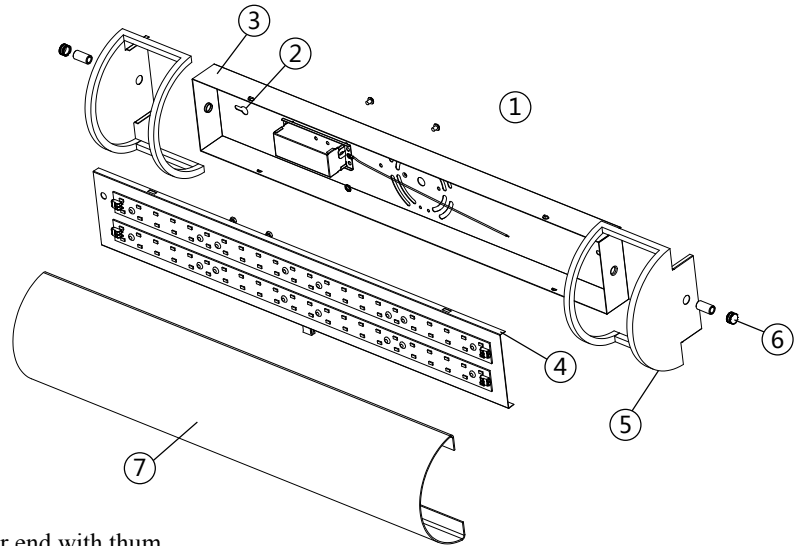
### 1. Preparing for installation

- A. **Disconnect electrical power** at fuse or circuit breaker box before installing or servicing any part of this fixture.
- B. Carefully remove the fixture from the carton, and check that all parts are included, as shown in figure.

### 2. Mounting & Wiring (all wiring must take place inside junction box)

**Caution:** Make sure power is off at fuse or circuit breaker box. Check power wires for damage or scrapes. If power supply wires are within three inches of the ballast power supply, use wire suitable for at least 90C (194F). **Note:** Most dwellings built before 1985 have supply wire rated to 60C. Consult a qualified electrician before installing.

- A. Position the mounting plate (1) (not included) against the wall covering the junction box (not included) and secure. Mark placement of mounting keyhole slots (2).
- B. Drill appropriate sized holes or install wall anchors to accept mounting screws (not included).
- C. Connect the power source ground wire to the green or bare copper wire from the fixture assembly.
- D. Using wire nuts (provided), connect white supply wire to white ballast lead. Connect black supply wire to black driver lead. **Do not mix wires.** Pull on each wire lead to make sure connections are secure. Make certain no bare wires are exposed outside of wire connectors.
- E. Tuck all connections neatly into junction box (not included).
- F. Fasten fixture housing (3) securely to the wall with screws. Install upper cover (4) onto fixture housing (3) securely.



### 3. Diffuser Assembly

- A. Install one end cap (5) using the thumbscrew (6).
- B. Slide the diffuser (7) into the installed end, and install the other end with thumbscrew (6) to secure diffuser in place.

### 4. Restore power at fuse or circuit breaker box.

### 5. Color Changing Temperature Adjustment, CCT (if desired).

- A. Adjust CCT switches on each board accordingly to the desired color temperature as seen below. All boards must be set the same way.  
Note: Fixture is preset to 3000K from factory. Power to fixture must always be turned OFF prior to adjusting CCT switches.

#### COLOR TEMPERATURE ADJUSTMENT SETTING

